

Model DC224-6

(224AH/6 Volt)

BCI Group: GC2



CONSTANT CURRENT DISCHARGE (Amps)

CUT OFF VOLTAGE V/cell	30M	45M	1H	2H	3H	5H	8H	10H	12H	20H	24H
1.75V	197.6	148.0	119.1	66.1	48.9	34.2	23.5	19.4	16.6	11.2	9.5

RESERVE CAPACITY

@25 AMPS	@75 AMPS
441 Minutes	113 Minutes

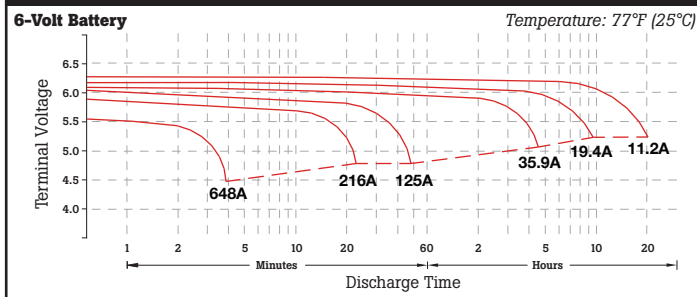
SPECIFICATIONS

Nominal Voltage		6 Volt
Rated Capacity (20 hour rate)		224AH
Dimensions	Total Height (including terminals)	251mm (9.88")
	Height	245mm (9.64")
	Length	260mm (10.24")
	Width	180mm (7.09")
Weight		29.8kg (65.7 lbs)

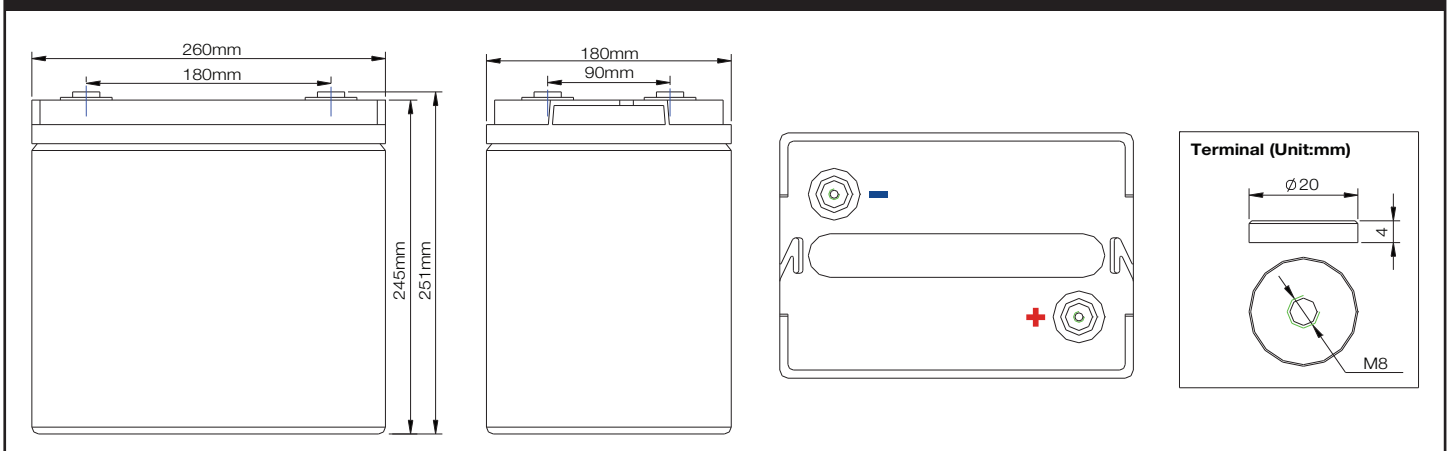
CHARACTERISTICS

Capacity 77°F (25°C)	20 Hour Rate (11.2A to 5.25 Volts)	224AH
	10 Hour Rate (19.4A to 5.25 Volts)	194AH
	5 Hour Rate (35.9A to 5.1 Volts)	179AH
Internal Resistance	Full charged Battery 77°F (25°C)	1.7m Ω
Capacity Affected by Temperature (20 Hour Rate)	104°F (40°C)	102%
	77°F (25°C)	100%
	32°F (0°C)	85%
Self-Discharge 77°F (25°C)	5°F (-15°C)	65%
	Capacity after 3 month storage	91%
	Capacity after 6 month storage	82%
Max. Discharge Current 77°F (25°C)	Capacity after 12 month storage	64%
	2000A (5s)	
Terminal	Standard	M8
Charging (Constant Voltage)	Cycle	Initial Charging Current $\leq 0.2 \times C20$ 7.25V ~ 7.45V/77°F (25°C)
	Float	6.8V ~ 6.9V/77°F (25°C)

DISCHARGE CHARACTERISTICS



SIZE & DETAILED ILLUSTRATION



This information is generally descriptive only and is not intended to make or imply any representation, guarantee or warranty with respect to any cells and batteries. Cell and battery designs/specifications are subject to modifications without notice. Contact Fullriver for the latest information.